



4300 Millennium Wood-Burning Stove

Using renewable energy sources is more important than ever and wood is 100 percent renewable. When you burn wood, you are also completing the last step of the natural carbon cycle of trees, resulting in a zero net carbon impact on the environment.



4300M

3100M

2100M

Peak BTU/hr Input ¹	61,700	51,000	44,400
Heating Capacity ²	1,100 - 3,000 sq ft	1,000 - 2,600 sq ft	800 - 2,100 sq ft
Maximum Burn Time ³	12 hours	10 hours	7 hours
Efficiency ⁴	80% (LHV) / 74% (HHV)	78% (LHV) / 73% (HHV)	82% (LHV) / 76% (HHV)
Emissions	1.6 g/h	1.9 g/h	1.7 g/h
Firebox	2.3 cu ft	2.0 cu ft	1.5 cu ft
Recommended Log Length	18"	16"	16"
Viewing Area	165 sq in	165 sq in	125 sq in
Actual Weight	315 lbs	285 lbs	260 lbs

Door Upgrade Kit

Satin Nickel hinge pins, spring handle and air control handle



Fan Kit

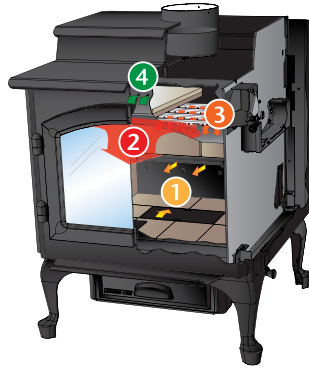
160 cfm fan with rheostat speed control and automatic or manual setting



EXCLUSIVE TECHNOLOGIES like the patented Four-Point Burn System and Automatic Combustion Control, make it possible to burn wood more effectively, efficiently, and with more control.

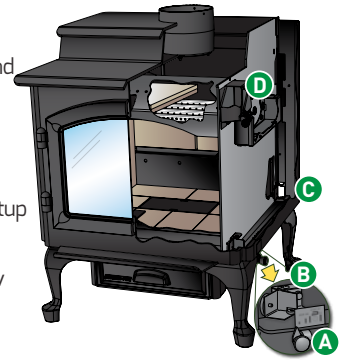
Four-Point Burn System

1. **PRECISION START-UP** Airflow quickly routes to the heart of the fire.
2. **SECONDARY BURN ZONE** Air movement helps create rolling flames and keeps the glass clean.
3. **TERTIARY BURN ZONE** Superheated air ignites flammable gases rising from the wood.
4. **QUATERNARY BURN ZONE** Remaining impurities are burned above the baffle before exiting up the chimney.



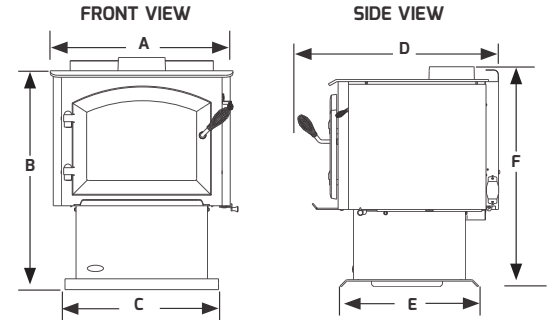
Automatic Combustion Control

- ACTIVATION CONTROL KNOB** Push back and pull forward to activate startup airflow.
- ACC AIR INLET** Controls startup airflow to build the fire.
- ACC TIMER** Opens ACC air inlet during startup for approximately 20 minutes.
- BURN RATE CONTROL** Controls the airflow feeding the fire and also controls your comfort.



SPECIFICATIONS

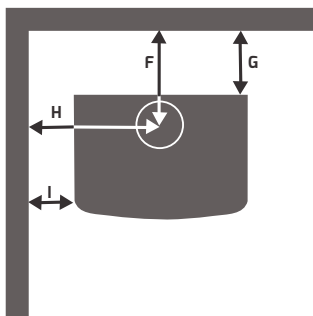
	A	B	C	D	E	F
4300M	26-1/4" (667mm)	30-1/2" (775mm)	21" (533mm)	28-5/8" (727mm)	19-3/4" (502mm)	32-1/4" (820mm)
3100M	25-1/2" (648mm)	29-1/2" (749mm)	21" (533mm)	26-5/8" (676mm)	19-3/4" (502mm)	31-3/8" (796mm)
2100M	23-5/8" (600mm)	27-1/2" (699mm)	21" (533mm)	26-5/8" (676mm)	19-3/4" (502mm)	29-3/8" (745mm)



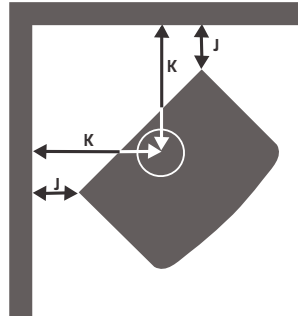
CLEARANCES

		F	G	H	I	J	K	L	Minimum Floor Protection
4300M	Single Wall Pipe	18-1/2" (470mm)	11-3/4" (298mm)	27-1/2" (699mm)	14-1/2" (368mm)	8" (203mm)	20-1/2" (521mm)	53-1/2" (1359mm)	31-5/8" W x 41" D (803mm x 1041mm)
	Double Wall Pipe	12" (305mm)	5-1/4" (133mm)	27-1/2" (699mm)	14-1/2" (368mm)	8" (203mm)	20-1/2" (521mm)	53-1/2" (1359mm)	
3100M	Single Wall Pipe	18-1/4" (464mm)	11-3/4" (298mm)	28-1/2" (724mm)	16" (406mm)	8" (203mm)	20" (508mm)	48" (1219mm)	31-5/8" W x 39" D (803mm x 991mm)
	Double Wall Pipe	13-1/2" (343mm)	6-1/2" (165mm)	25" (635mm)	13" (330mm)	6-1/2" (165mm)	18-1/2" (470mm)	48" (1219mm)	
2100M	Single Wall Pipe	18" (457mm)	11" (279mm)	24-1/2" (622mm)	13" (330mm)	8-1/2" (216mm)	20" (508mm)	56" (1422mm)	29-5/8" W x 39" D (752mm x 991mm)
	Double Wall Pipe	11-3/4" (298mm)	5" (127mm)	23" (584mm)	11-1/2" (292mm)	7-1/2" (191mm)	19" (483mm)	43" (1092mm)	

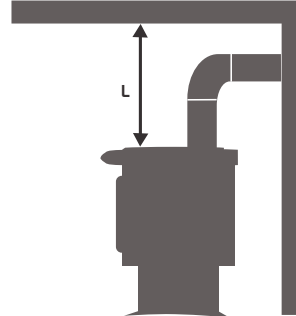
BACK WALL/SIDE WALL



CORNER INSTALLATION



STOVE TO CEILING INSTALLATION



Stove Pipe to Ceiling Clearance

Follow pipe manufacturer's clearances as required

NOTE: 2100 Millennium requires minimum 2' vertical pipe off stove top

Scan to learn more about our wood stoves



For full warranty details, visit www.forgenflame.com. All Quadra-Fire wood-burning stoves are certified to EPA standards.

1: BTU: 1st hour output uses high burn efficiency number. BTU will vary depending on the type of fuel used and moisture content of the fuel. 2: Heating capacity (in square feet) is a guideline only and may differ due to climate, building construction and condition, amount and quality of insulation, location of the heater, and air movement in the room. 3: Actual burn times will vary based on how the appliance is operated, load size, moisture content and type of wood used, chimney height and installation. 4: Weighted average LHV (Low Heating Value) efficiency. HHV (High Heat Value) efficiency used to qualify products for Tax Credit beginning in 2023.

IMPORTANT - READ BEFORE YOU INSTALL! Refer to the Owner/Installation Manual for complete clearance requirements and specifications. The images and descriptions in this brochure are provided to assist you in product selection only.

Quadra-Fire is a registered trademark of Hearth & Home Technologies. Product specifications and pricing subject to change without notice.



FORGENFLAME.COM