

The Soapstone Family

Mansfield Wood Stove Model 8013

Our largest soapstone stove with TruHybrid™ technology.


Efficiency

78%

HHV


HeatLife™

30

Hours


EPA Certified

0.54

g/hr



Features

TruHybrid™ Technology

The Mansfield burns cleanly and efficiently using primary, secondary, and tertiary combustion. Enjoy clean heat with our TruHybrid technology.

Deep Firebox

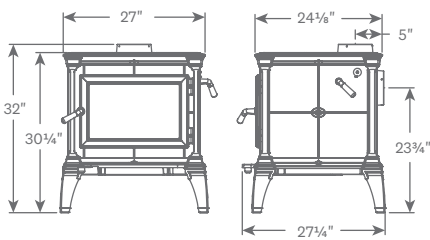
Our largest soapstone stove has plenty of space for making big fires to heat your great room or your whole house! The Mansfield boasts a 21½" wide by 20½" deep firebox.

Soapstone HeatLife

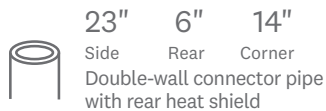
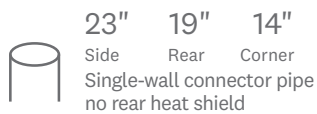
Over 230lbs of soapstone are used to construct the Mansfield to offer you plenty of long-lasting comfortable heat.



Dimensions

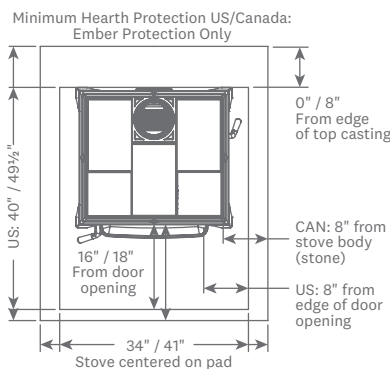


Clearances



Note: All information is for reference only. Refer to the owner's manual for full specification and installation details.

Hearth Protection



Finish Options



Specifications

HHV Efficiency	78%
HeatLife™*	Up to 30 hours
EPA Certified	0.54 g/hr
Heats up to	2,500 sq ft
Firebox Capacity	3.2 cu ft
BTU	Up to 80,000
Maximum Log Length	21" Left-Right,
Flue Exit & Diameter	Top or Rear† - 6"
Ash Pan	Optional
Weight	605 lbs

Accessories

Ash Pan	90-54240
Rear Heat Shield	90-68210
Convection Blower	90-57210
Outside Air Adapter	90-53220

* Refer to the owner's manual for rear exit requirements.
† Under the right conditions, you will be able to start a new fire with kindling up to the end of the product's HeatLife™.